

## Network Extender-M

### Installation Datasheet

The Safeguard Network Extender provides a complete Modbus device to increase the total number of devices or increase the amount of cabling in a system.

The Safeguard Network Extender is terminated for ease of installation.



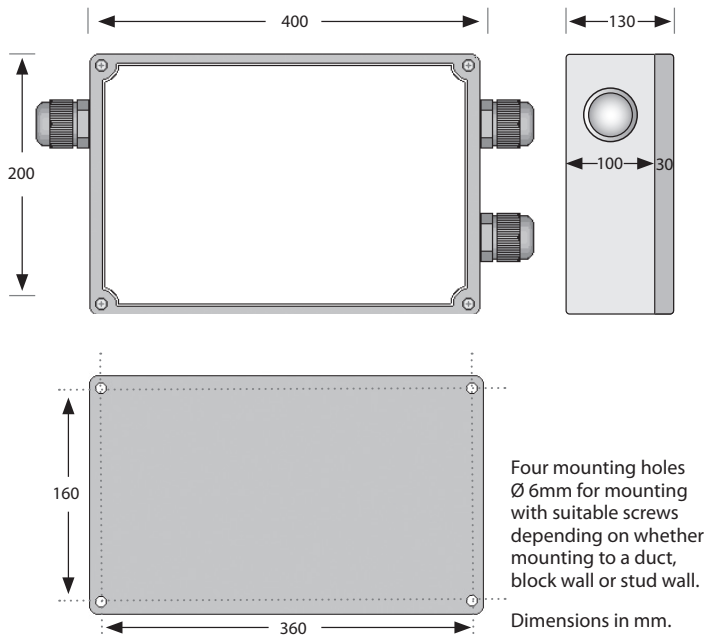
ELECTROSTATIC SENSITIVE DEVICE

This product forms part of a life safety system. Failure to correctly store, handle, install and maintain the product will directly put at risk the lives of the occupants and the fabric of the building.



ALWAYS READ THIS DOCUMENT BEFORE INSTALLATION. PLEASE RETAIN FOR FUTURE REFERENCE.

## Mounting Diagram



## Dimensions and Mounting

The compact and robust design of the NE-M enclosure allows the unit to be mounted to a duct, block wall or stud wall.

Ensure the NE-M is accessible for future maintenance purposes.

**Please note:**

150mm clearance required for lid removal and at cable entry points.

Do not drill the enclosure as this will affect its IP rating.

## Maintenance

Mains terminal fuse replacement: 250mAT 250 VAC

Suggested replacement: Bussman S504 series.

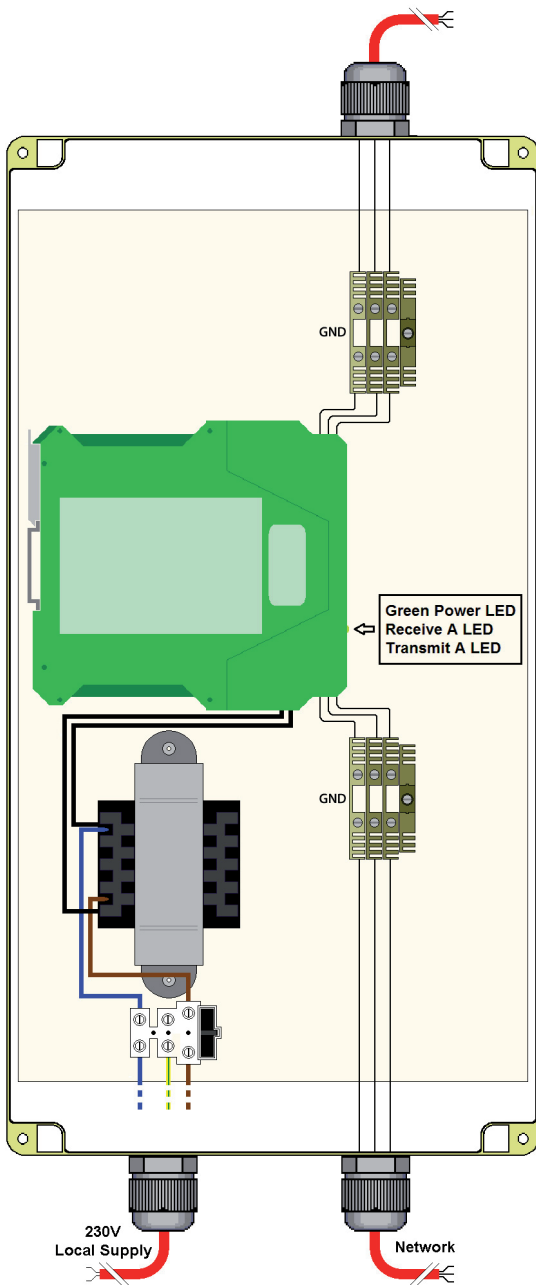
## Preparation

- Only trained and qualified personnel should be allowed to install, replace or service this equipment. Installation should be in accordance with the relevant local safety standards.
- The connectors can accommodate cable diameters up to 2.5mm<sup>2</sup>. It is recommended that all wires be crimped to ease installation and replacement of the product.
- The mains wiring should comply with IEC 60227 or IEC 60245.
- A switch or circuit breaker should be included as part of the installation.
- The switch or circuit breaker should meet the relevant requirements of IEC 60947-1 and IEC 60947-3.
- The switch or circuit breaker should be in close proximity to the equipment and be within easy reach of the operator.
- The switch or circuit breaker should be marked as the disconnecting device for the equipment and should disconnect both poles of the supply.
- The switch or circuit breaker should not interrupt the protected earth conductor.
- This equipment MUST be earthed.

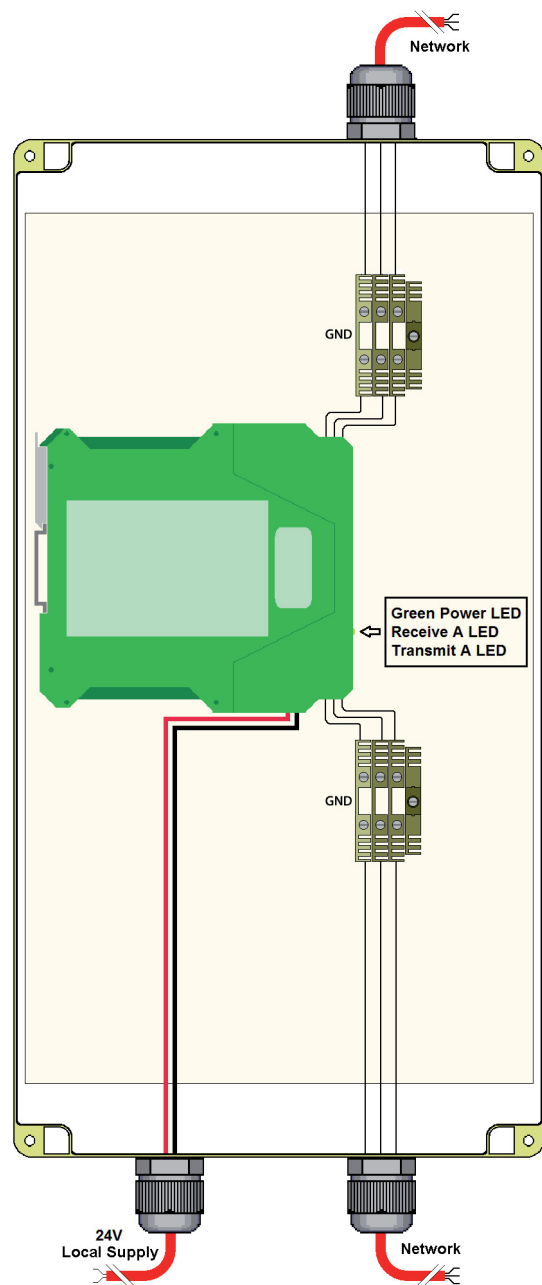
## Installation

1. Disconnect the local supply before commencing any work on the NE-M.
2. Wire the NE-M in accordance with the wiring diagram shown across.
3. If mains supply, cable should be fitted in such a manner that, should the cable be subject to strain, the earth wire would be the last wire to break loose.
4. If mains supply, cable should be secured using the cable gland provided and tie wrapped to prevent slippage.
5. It is recommended that the network cables are not run alongside any high voltage or high frequency sources. Also, network cables must not be mixed on an individual network as they have very different electrical characteristics and could render the system unreliable.
6. Once wiring is complete, apply power to the NE-M. The green power LED should illuminate to indicate the presence of power.

### Wiring Diagram: 230V & 120V



### Wiring Diagram: 24V



## Specification

### Modbus

Interface 1	RS485
Interface 2	RS485

### Supply

*(please specify at time of order)*

Input voltages	(230 ± 23) V AC, 50 Hz (120 ± 12) V AC, 60 Hz (24 ± 4.8) V AC, 50 Hz (24 ± 2.4) V DC
----------------	---

Maximum power consumption 9 VA

### Environmental

Operating temperature	0 °C to 50 °C
Storage temperature	-20 °C to 50 °C
Humidity	80 % RH to 31 °C decreasing linearly to 50 % RH at 40 °C
Maximum altitude	2000 m

### Conformance

EMC	EN 50081-1 EN 61000-6-2:2005
-----	---------------------------------

### Enclosure

Material	Polycarbonate
IP rating	IP 54
Flammability	UL 746C 5V
Dimensions (excl glands)	400 mm x 200 mm x 130 mm (L x W x D)
Dimensions (incl glands)	450 mm x 200 mm x 130 mm (L x W x D)

 Complies with European standards

**WARNING: The responsible body shall be made aware that, if the equipment is used in a manner not specified by the manufacturer, the protection provided by the equipment may be impaired.**

*The information herein is subject to change without notice. We do not assume any liability arising out of the use of this product. Purchase of goods and services is subject to Safegard Systems standard terms and conditions.*

*Product warranty 12 months from date of delivery.*

Actionair and Safegard are brand names of Swegon Air Management and Safegard Systems respectively and both companies are part of the Swegon Group.

Swegon Air Management, South Street, Whitstable, Kent, CT5 3DU, UK

T: 01227 276100 F: 01227 264262 E: sales@actionair.co.uk [www.actionair.co.uk](http://www.actionair.co.uk)

**actionair**

Unit 33, Southern Cross Business Park, Bray, Co. Wicklow, A98 HT99, Ireland

T: +353 1 2761600 F: +353 1 2761611 E: info@safegard.ie [www.safegard.ie](http://www.safegard.ie)

**SAFEGARD SYSTEMS**   
A Swegon Group company