



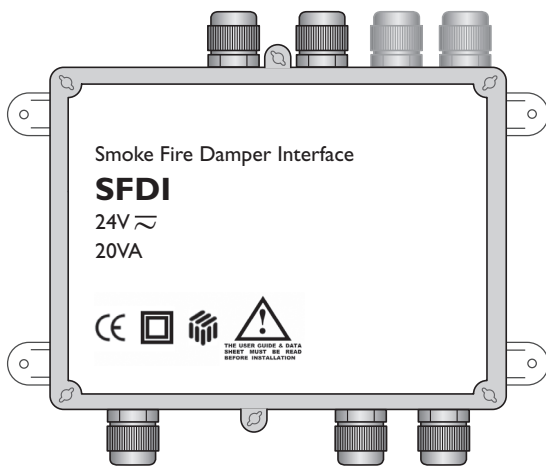
Safeguard Systems

THE DAMPER SPECIALIST COMPANY



ALWAYS READ THIS DOCUMENT BEFORE INSTALLATION. PLEASE RETAIN FOR FUTURE REFERENCE.

This product forms part of a life safety system. Failure to correctly store, handle, install and maintain the product will directly put at risk the lives of the occupants and the fabric of the building.



Installation Instructions and Datasheet

Smoke Fire Damper Interface (24V)

The Safeguard Smoke Fire Damper Interface provides a complete LonWorks® communication device to control any failsafe spring-return smoke fire damper actuator that incorporates two auxiliary switches.

Two additional auxiliary inputs are provided for interfacing to local duct smoke detectors etc.

Safeguard developed the LonMark® Functional Profile (11001) for smoke fire dampers and this has been adopted worldwide.



ELECTROSTATIC SENSITIVE DEVICE



Safeguard Systems

THE DAMPER SPECIALIST COMPANY

Dimensions and Mounting

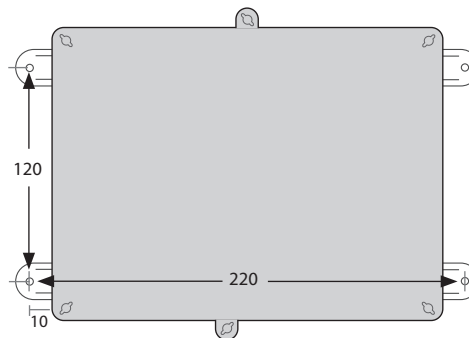
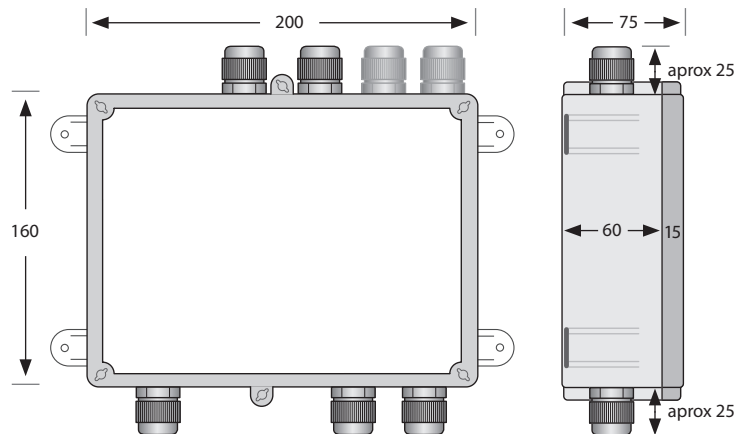
The compact and robust design of the SFDI enclosure allows the unit to be mounted to a duct, block wall or stud wall.

Ensure the SFDI is located close enough to the actuator it is controlling/monitoring. Normally, actuator leads are 1m in length. Also, ensure the SFDI is accessible for future maintenance purposes.

Please note:

- Unused cable entries should be sealed with blind washers.
- Do not drill the enclosure as this will affect its IP rating.

Mounting Diagram



Four mounting holes \varnothing 6mm for mounting with suitable screws depending on whether mounting to a duct, block wall or stud wall.

Dimensions in mm.



Safeguard Systems

THE DAMPER SPECIALIST COMPANY

Preparation

- Only trained and qualified personnel should be allowed to install, replace or service this equipment. Installation should be in accordance with the relevant local safety standards.
- The connectors can accommodate cable diameters up to 2.5mm². It is recommended that all wires be crimped to ease installation and replacement of the product.

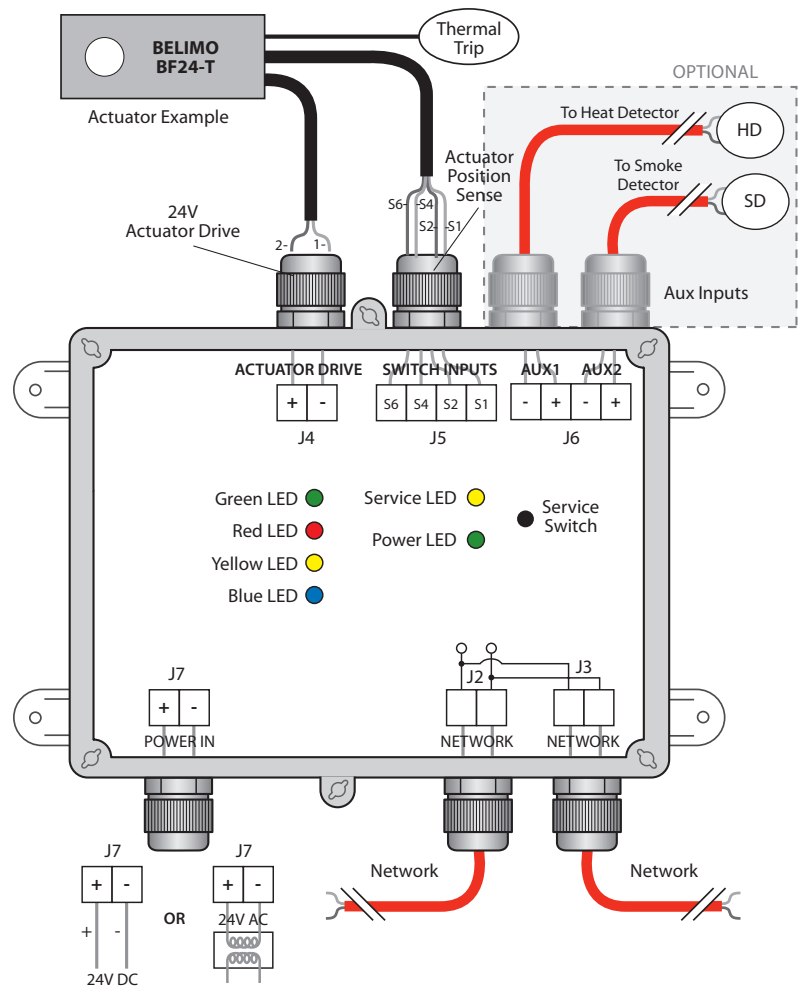
Installation

1. Disconnect the local supply before commencing any work on the SFDI.
2. Wire the SFDI in accordance with the wiring diagram shown across. If actuator is to be located more than 5m from the SFDI then contact Safeguard Systems for technical assistance.
3. Please be aware that the switch and auxiliary inputs are not optically isolated. It is recommended that the optional detectors (smoke or heat) use failsafe open contacts to guarantee their detection in the event of a fault condition.

It is also recommended that the network cables are not run alongside any high voltage or high frequency sources. Also, network cables must not be mixed on an individual network as they have very different electrical characteristics and could render the system unreliable.

4. Once wiring is complete, apply power to the SFDI. The green power LED should illuminate to indicate the presence of power.
5. The SFDI is now ready to be configured using a standard LonWorks tool such as LonMaker or the Safeguard system.

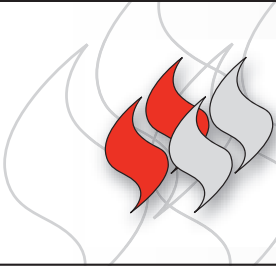
Wiring Diagram (SFDI in enclosure without lid fitted)



LED Behaviour

Wink function: Service LED flashes for 5s

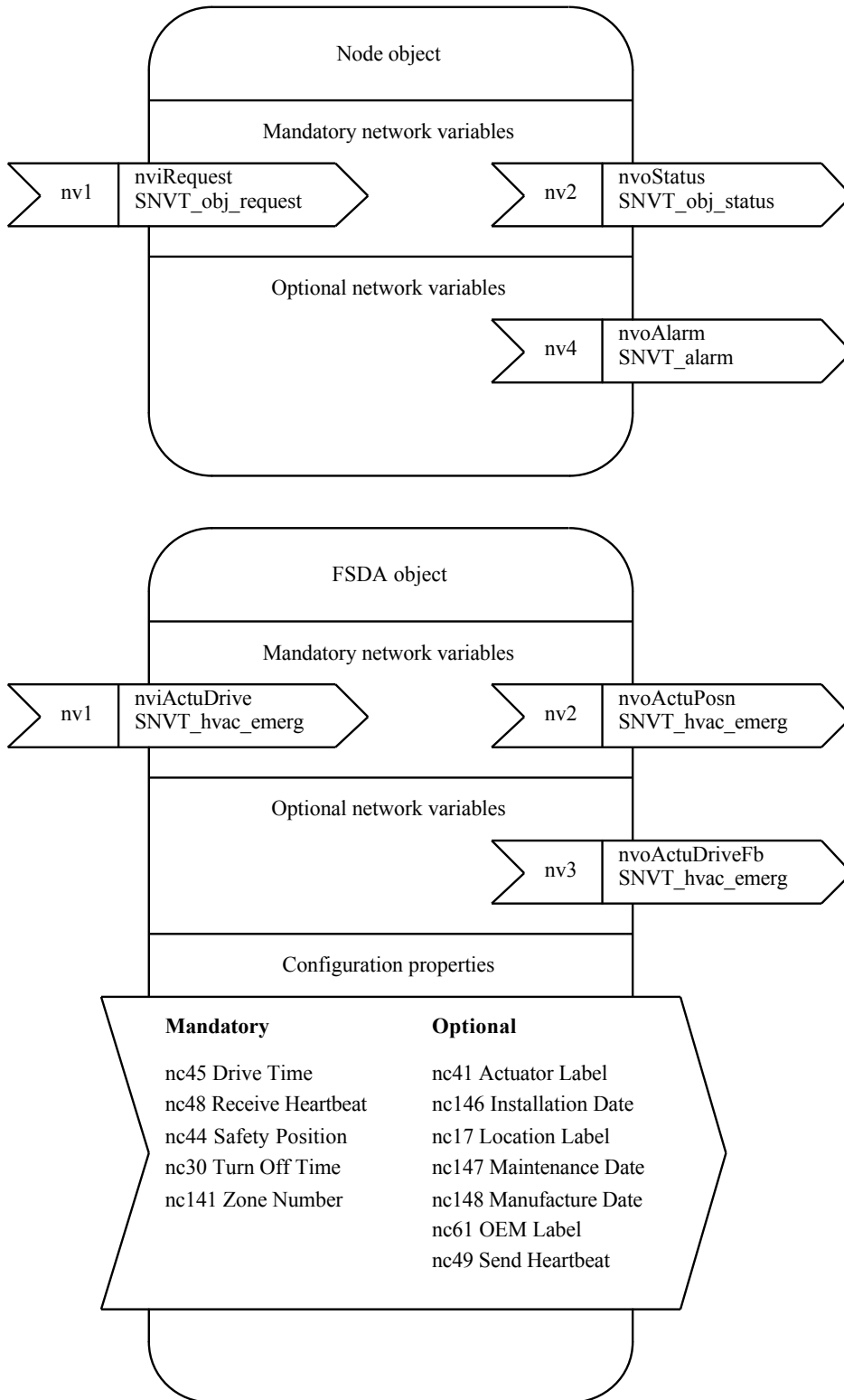
FUNCTION	GREEN	RED	YELLOW	BLUE
Open	On	Off		
Closed	Off	On		
Travelling	Flashing	Flashing		
Fault			Flashing	
Ping				One-shot
Offline	On	On	On	On



Safeguard Systems

THE DAMPER SPECIALIST COMPANY

LonMark Objects





Safeguard Systems

THE DAMPER SPECIALIST COMPANY

Specification

LonWorks

Neuron chip	FT 3120-E4 V16, 5 MHz
Transceiver type	TP/FT-10
Service functions	Service pin, service LED and neuron ID self-adhesive tag

Supply

Input voltage	(24 ± 4.8) V AC, 50 Hz (24 ± 2.4) V DC
Maximum power consumption	5 W

Output

Contact type	DPCO mechanical relay contacts
Maximum switched load	20 VA

Inputs

Contact type	Non-isolated dry contacts
Sense current	19 mA at 12 V DC

Environmental

Operating temperature	-5 °C to 70 °C
Storage temperature	-20 °C to 70 °C
Humidity	25 % RH to 90 % RH at 70 °C
Maximum altitude	2000 m

Conformance




EMC	EN 50081-1: 1992 EN 61000-6-2: 1999
LonMark	11001

Enclosure

Material	ABS base with polycarbonate lid
IP rating	IP 54
Flammability	UL 94V-0
Pollution	Category 2
Dimensions (excl glands)	200 mm x 120 mm x 75 mm (L x W x D)
Dimensions (incl glands)	200 mm x 170 mm x 75 mm (L x W x D)

Note: Optional HSFDI available at 300°C for 1 hour applications. Contact Safeguard Systems for details.

Symbols

-  Complies with European standards
-  IEC 60417-5172 Equipment protected throughout by DOUBLE INSULATION
-  Complies to LonMark Interoperability Guidelines (ISO 7000-0434)

WARNING: The responsible body shall be made aware that, if the equipment is used in a manner not specified by the manufacturer, the protection provided by the equipment may be impaired.

© 1996 - 2007 Safeguard Systems Limited. The information herein is subject to change without notice. We do not assume any liability arising out of the use of this product. Purchase of goods and services is subject to Safeguard Systems standard terms and conditions. Product warranty 12 months from date of delivery.

LonWorks, LonMark, LonMaker and the 3120 are trademarks of Echelon Corporation registered in the United States and other countries. All other trademarks are acknowledged.



Safeguard Systems
THE DAMPER SPECIALIST COMPANY

Systems House, Unit 34, Southern Cross Business Park, Bray, Co. Wicklow
T: +353 1 2761600 **F:** +353 1 2761611 **E:** info@safeguard.ie www.safeguard.ie