



Safeguard Systems

THE DAMPER SPECIALIST COMPANY

Safeguard EMB

Electro Mechanical Bespoke

Range and Features

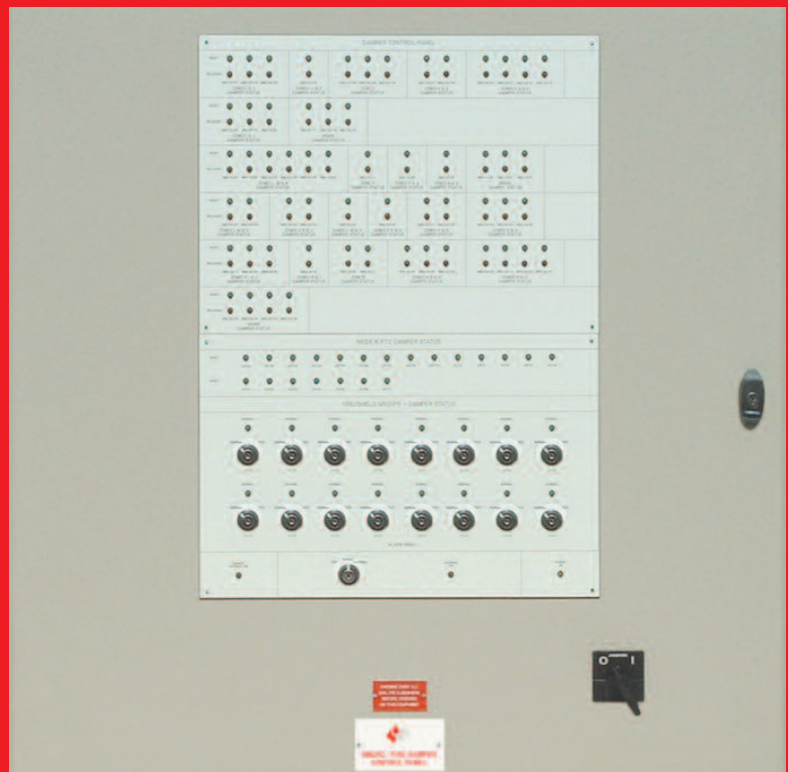
Automatic damper operation utilising relay logic and LED indication of damper status.

- Customised central Control Panel.
- Individual, or collectively controlled and continually monitored.
- Wall mounted enclosure to IP55.
- Finished in RAL 7035.
- Custom Engraved Traffolyte fascia.
- LED indication of damper status.
- Zonal inputs.
- Door interlocking isolator.
- Miniature circuit breaker protection.

Specialist Panels available.

- Fan Control Panel.
- Fireman's control panel.
- Mimic (Repeater) Panel.

Fire damper monitor (Indication) panel.



Safeguard EMB Electro Mechanical Panels



Example Safeguard EMB Electro Mechanical Panels shown

Features

- Safeguard EMB Electro Mechanical Panels are purposely manufactured for any particular project to suit specific customer requirements.
- Dampers can be individually or collectively controlled and continually monitored.
- Wall mounted enclosures to IP55.
- Finished in RAL 7035.
- Custom engraved traffolyte fascia.
- LED indication of damper status.
- Zonal inputs.
- Door interlocking isolator.
- Miniature circuit breaker protection.

Commissioning

Safeguard offers a comprehensive after sales service to include for pre-commissioning checks, complete commissioning service of all our products in line with and to encompass CIBSE guidelines and planned preventive maintenance visits.

Introduction

The Safeguard EMB Electro Mechanical Panels, consists of a number of smoke/fire dampers hard wired individually or in groups to a central control panel. The dampers may be individually or collectively controlled and continuously monitored.

Dampers and actuators may have differing control and monitoring requirements and therefore will be connected to the site wiring, which when installed by the contractor, shall provide the relevant specified functions.

Specification

The Safeguard EMB Electro Mechanical Panels typically consists of the appropriate number of switches to provide individual or group control, LED indication for status monitoring and all necessary relays and timers to comply with the customers needs for fully or semi-automatic damper operation.

Interface with the Fire Alarm panel is via volt-free contacts which are normally closed and open upon alarm, the The Safeguard EMB damper control panel will then activate relevant dampers to their alarm status.

Safeguard EMB Electro Mechanical Panels are purposely manufactured for any particular project to suit specific customer requirements.

Options

- Lockable glazed door.
- Special paint finish to BS standard colour reference numbers.
- Flush mounting flanges.
- Latching push buttons.
- Fireman's override key switches.
- Test switch.
- Lamp test.
- Audible alarm with mute facility.
- B.M.S common fault relay interface.
- B.M.S output.
- Delay timers.
- Battery backup.

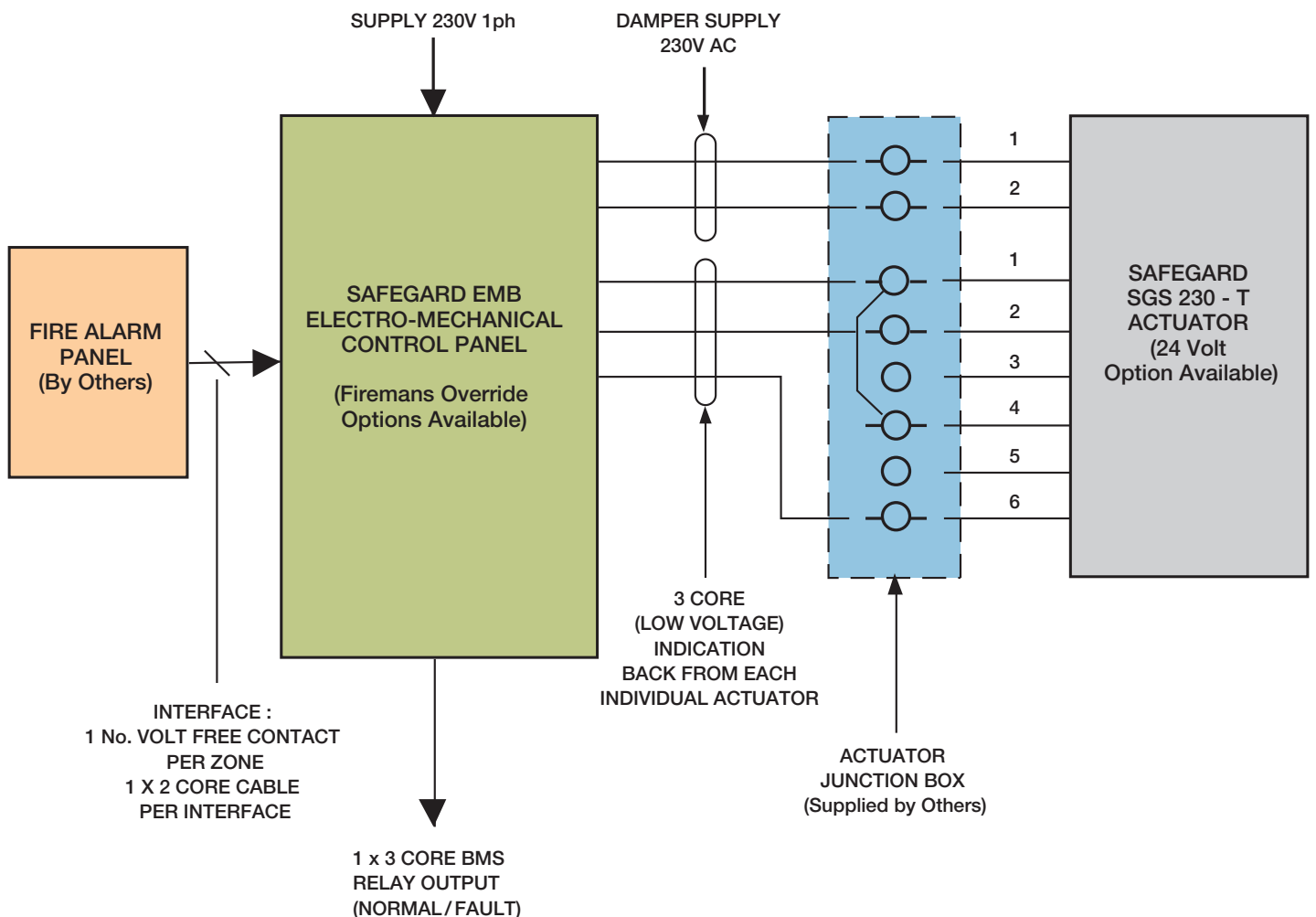
Panel Enclosure sizes

No. of Dampers	Estimated enclosure size (mm)
	W x H x D
1 - 4	400 x 400 x 210
5 - 8	400 x 400 x 210
9 - 12	500 x 500 x 210
13 - 16	500 x 500 x 210
17 - 20	600 x 600 x 210

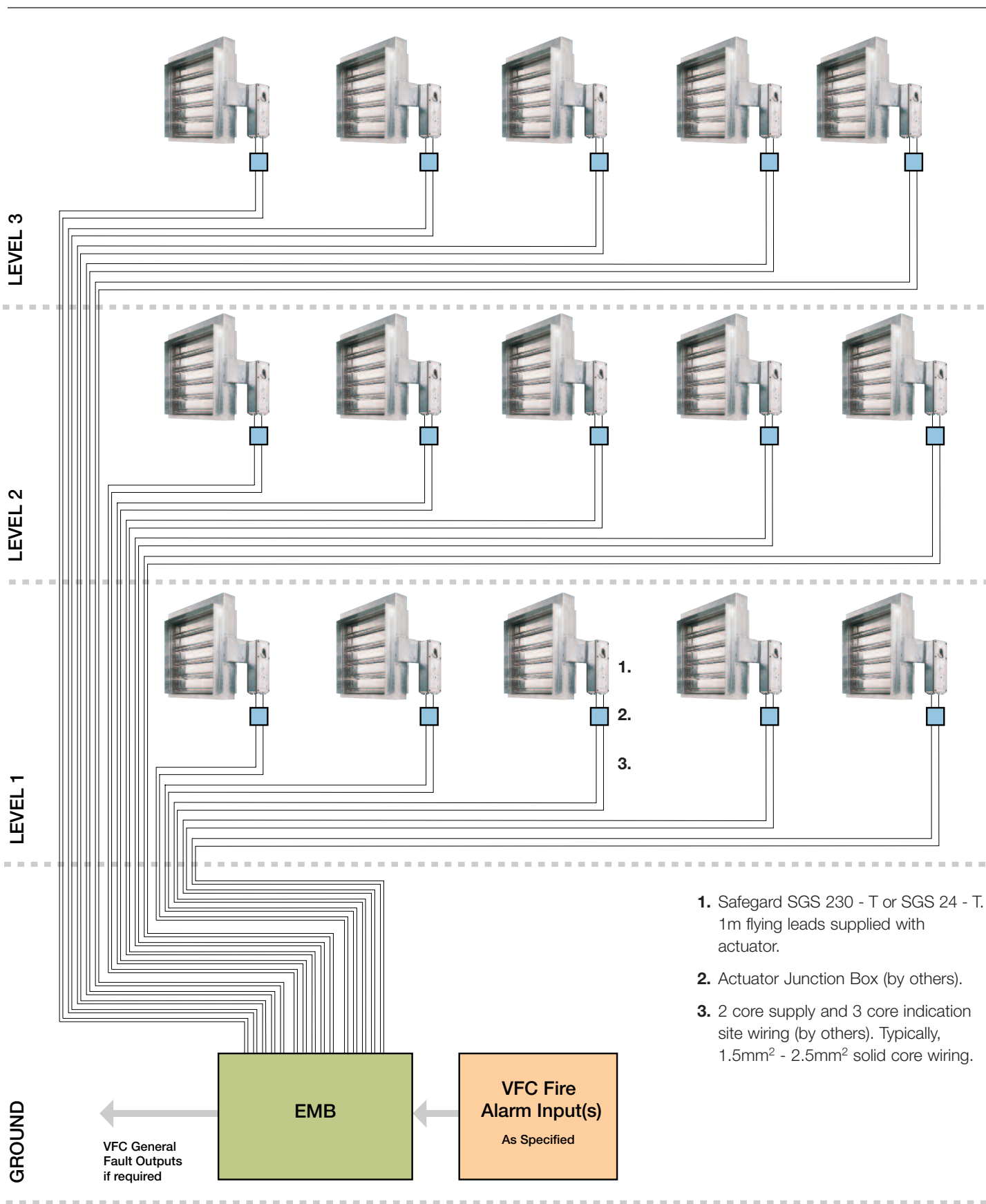
Specialist Panels Available

- Fan Control Panel
- Fireman's Control Panel
- Mimic (Repeater) Panel
- Fire damper monitor (indication) panel

Typical Safeguard EMB Electro-Mechanical System Schematic



Typical Network Schematic



An alternative addressable intelligent system is available:

Safeguard V4 Damper Control & Monitoring System



The Safeguard V4 system represents the latest evolution of damper control. The system has been designed with the user in mind, providing an advanced tool that simplifies installation and commissioning of dampers and peripheral devices. The embedded panel PC operates on an embedded platform and utilises solid state technology for optimum reliability.

It's server architecture delivers benefits such as reduced commissioning time, simplified operation and scope for future growth and flexibility.



Safegard Systems

THE DAMPER SPECIALIST COMPANY

Unit 33,
Southern Cross Business Park,
Bray, Co.Wicklow
T: +353 1 2761600

Joseph Wilson Industrial Estate,
Whitstable,
Kent, CT5 3DU
T: +44 1227 278158

E: info@safegard.ie **W:** www.safegardsystems.com