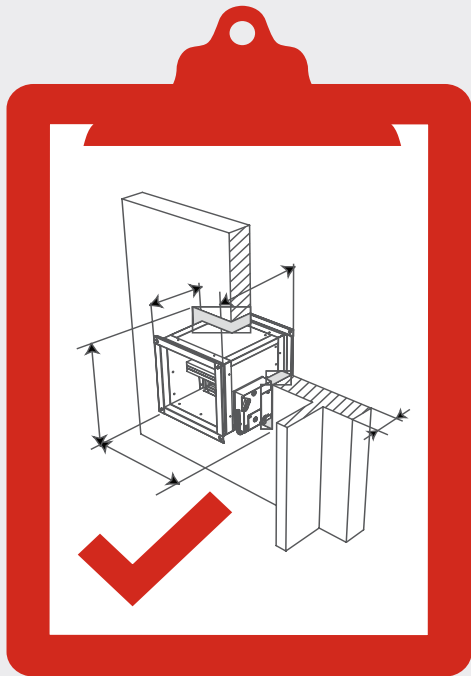


SAFEGARD SYSTEMS

A Swegon Group company



DAMPER INSTALLATION INSPECTION & SIGN-OFF

OUR NEW SERVICE FOR NON-CE TESTED
INSTALLATION METHODS

- Safeguard approved installation drawing / detail
- Site visit to verify installation is to our detail
- Safeguard certificate of compliance

Since the introduction of CE marking on smoke/fire dampers and BCAR to the Irish market compliant installation of dampers has become a contentious and difficult issue on all sites due to the black & white nature of manufacturers fire tested methods.

- Provide the construction industry with a solution to these issues
- Necessary PI insurance
- Vast experience and know-how

For more information and schedule of costs visit www.safeguard.ie
or call 01 2761600 or email info@safeguard.ie