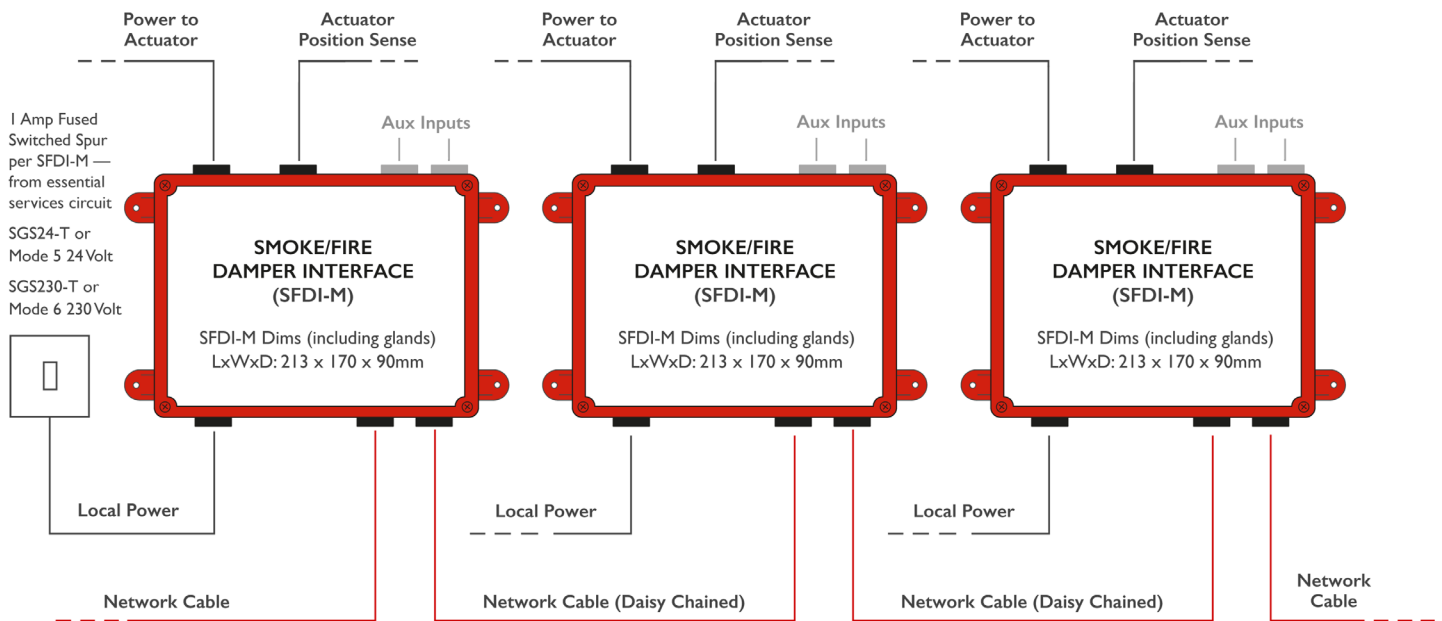


ACTIONPAC LNS5 & SAFEGARD V5

Network Cable Rules & Specification



Network Cable Spec:

Non Fire Rated Cable:

Belden 9841NH, 2 Core, 0.51mm² conductor size

Fire Rated Cable Options:

Prysmian (Pirelli) FP200 Gold, 2 Core, 1.5mm²

Prysmian (Pirelli) FP200 Plus, 2 Core, 1.5mm²

Firetuf FT30, 2 Core, 1.5mm² conductor size

Firetuf FT120, 2 Core, 1.5mm² conductor size

Warning:

This is a life safety smoke/fire damper control & monitoring system and the network cables we supply are fundamental to the stable and reliable operation of the system.

Network Cable Rules:

1. All devices to be wired in a "daisy chain" i.e. in and out.
2. Standard network rules apply i.e. network cables must NOT be run alongside any high voltage and/or high frequency sources. If SFDI-M's are wired in areas of high voltage such as plant rooms/lift lobbies, network cable must be installed in dedicated conduit.
3. Network cable types must NOT be mixed on a cable segment. If extended a network cable it must be of the same type as the original cable.
4. Maximum TOTAL wire length for cable segment = 1000M.
5. Maximum number of SFDI-M on a network channel is 120.
6. SFDI-M 's must be wired on a dedicated power supply.

 Complies with European standards

WARNING: The responsible body shall be made aware that, if the equipment is used in a manner not specified by the manufacturer, the protection provided by the equipment may be impaired.

The information herein is subject to change without notice. We do not assume any liability arising out of the use of this product. Purchase of goods and services is subject to Safegard Systems standard terms and conditions.

Product warranty 12 months from date of delivery.

Actionair and Safegard are brand names of Swegon Air Management and Safegard Systems respectively and both companies are part of the Swegon Group.

Swegon Air Management, South Street, Whitstable, Kent, CT5 3DU, UK

T: 01227 276100 **F:** 01227 264262 **E:** sales@actionair.co.uk www.actionair.co.uk

actionair

Unit 33, Southern Cross Business Park, Bray, Co. Wicklow, A98 HT99, Ireland

T: +353 1 2761600 **F:** +353 1 2761611 **E:** info@safegard.ie www.safegard.ie

SAFEGARDSYSTEMS 
A Swegon Group company